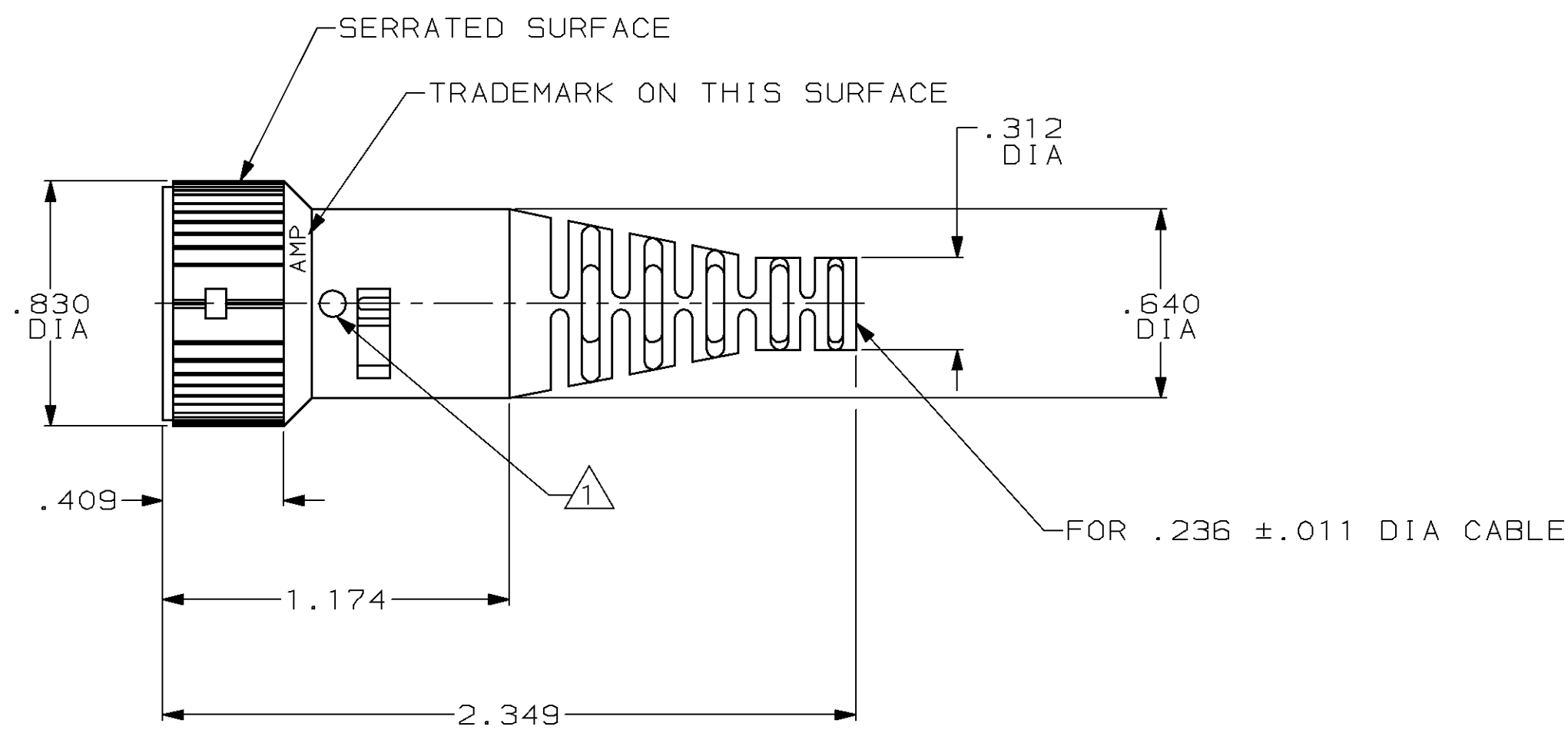


LOC	DIST	P	F	ZONE	LTR	DESCRIPTION	DATE	APPD
BD	39				E	REDRAWN	8/30/90	KB
					F	OBS -2 PER EC 0020-1305-95	16 MAY 96	RB



OBSOLETE	△	207314-2
	-	207314-1
	MARKING	PART NO

△ GREEN DOT.
 2. ASSEMBLES WITH 207313-1, 207488-1 AND 207332-1.

DO NOT SCALE PRINT. UNLESS SPECIFIED DIMENSIONS IN INCHES TOLERANCES ON : 2 PLC DEC ± - 3 PLC DEC ± .005 ANGLES ± -	DR 8/30/90 A. STAUB BG	AMP Incorporated Harrisburg, PA 17105-3608
	CHK 5-30-91 H. MOLL	
MATERIAL NYLON COLOR: BLACK	APPD 6-3-91 K. BEAVER	NAME HOUSING, CORD GUARD, AUDIO MICROPHONE CONNECTOR
	APPD 6-17-91 J. FULPONI	
FINISH -	PRODUCT SPEC -	SIZE C 00779
	APPLICATION SPEC -	DRAWING NO 207314
	WEIGHT -	SCALE 2:1
		SHEET 1 OF 1